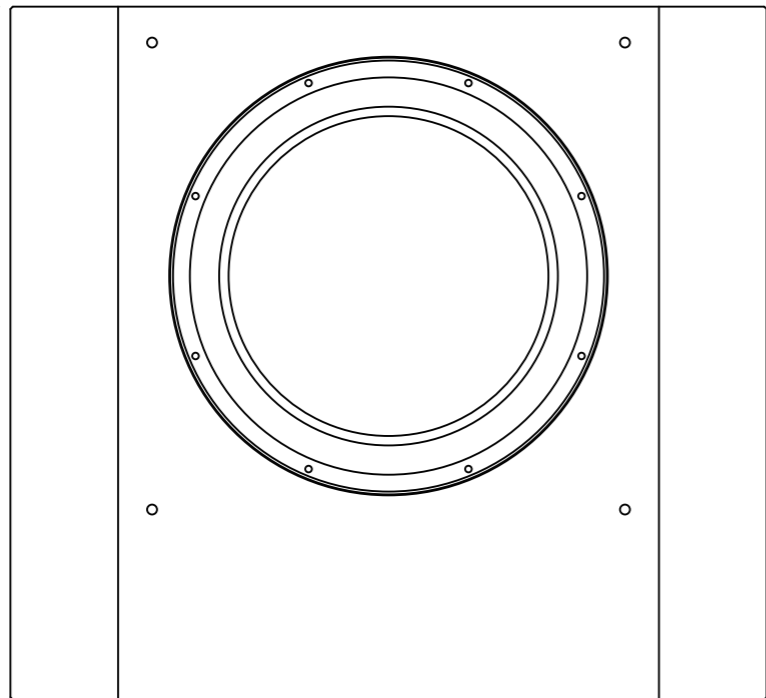
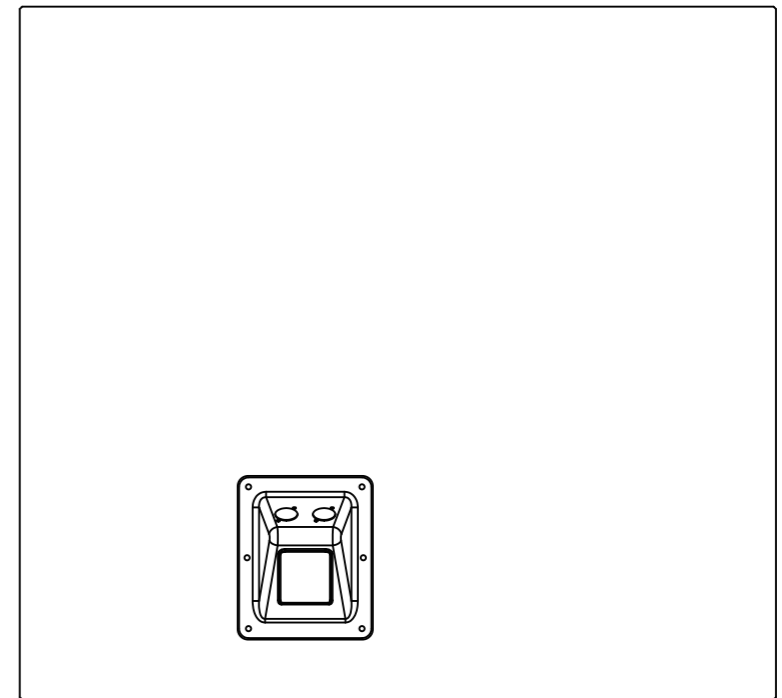
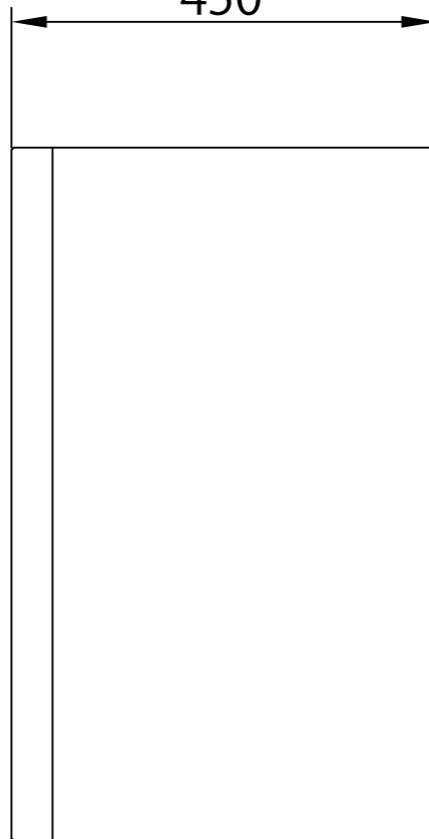


800

733



450



METRIC		E'spec E-SPEC inc.	
DRAFTER	DATE	<small>NOTICE OF PROPRIETARY PROPERTY: THE INFORMATION CONTAINED HEREIN IS THE PROPRIETARY PROPERTY OF E-SPEC INC. E-SPEC INC. ALL RIGHTS RESERVED. E-SPEC, THE E-SPEC LOGO ARE TRADEMARK OF E-SPEC INC., REGISTERED IN THE JAPAN AND OTHER COUNTRIES.</small>	
DESIGNER C MOTEGI	DATE 22/11/02		
DIMENSIONS ARE IN MILLIMETERS TOLERANCES		TITLE ALCONS AUDIO CRMSC-LFE18	
		DRAWING NUMBER	
SIZE A3	SCALE 1/8	SHEET 1 OF 1	