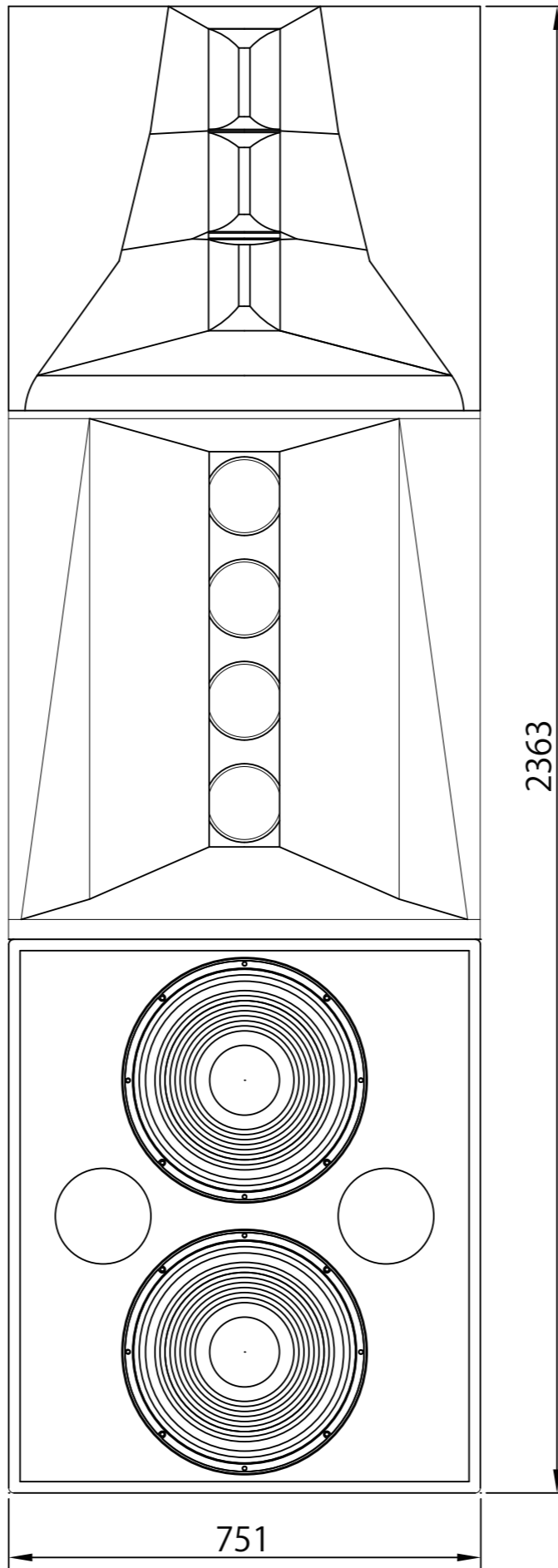
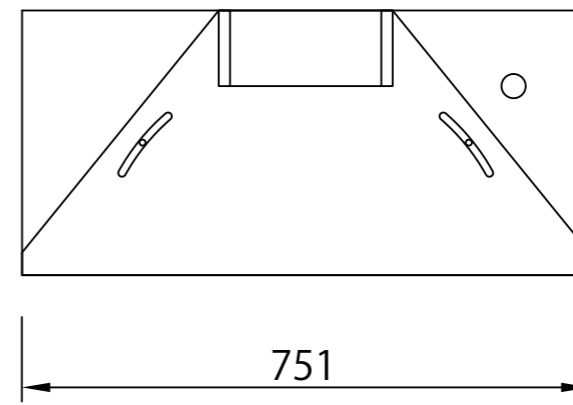


350



2363

751



751

METRIC		<b>E'spec</b> E-SPEC inc.
DRAFTER	DATE	<small>NOTICE OF PROPRIETARY PROPERTY. THE INFORMATION CONTAINED HEREIN IS THE PROPRIETARY PROPERTY OF E-SPEC INC. E-SPEC INC. ALL RIGHTS RESERVED. E-SPEC, THE E-SPEC LOGO ARE TRADEMARK OF E-SPEC INC., REGISTERED IN THE JAPAN AND OTHER COUNTRIES.</small>
DESIGNER C MOTEGI	DATE 22/10/19	
DIMENSIONS ARE IN MILLIMETERS TOLERANCES		TITLE ALCONS AUDIO CR4
		DRAWING NUMBER
SIZE A3		SCALE 1/10 SHEET 1 OF 1