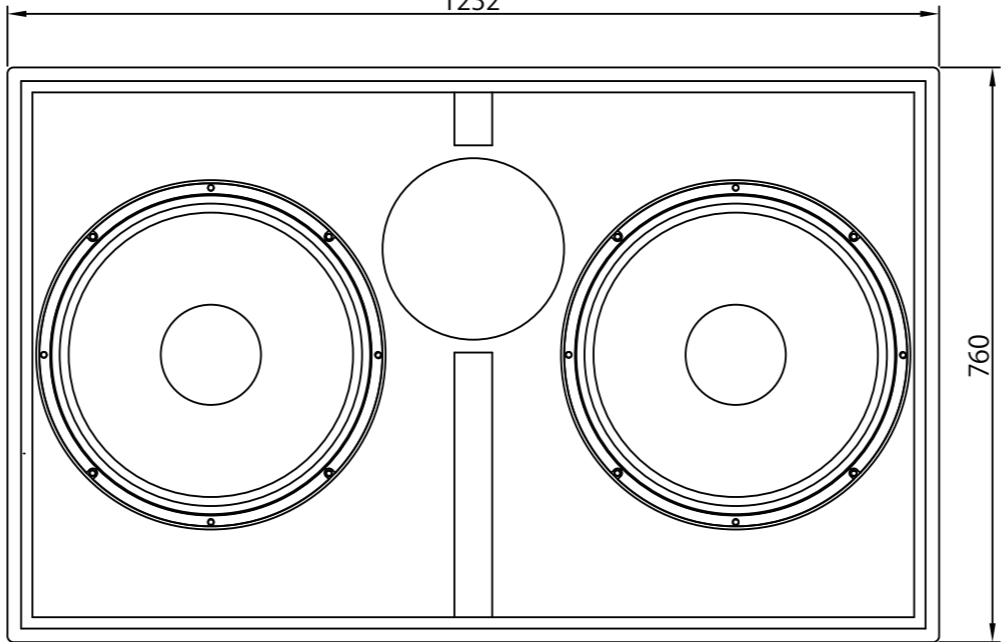
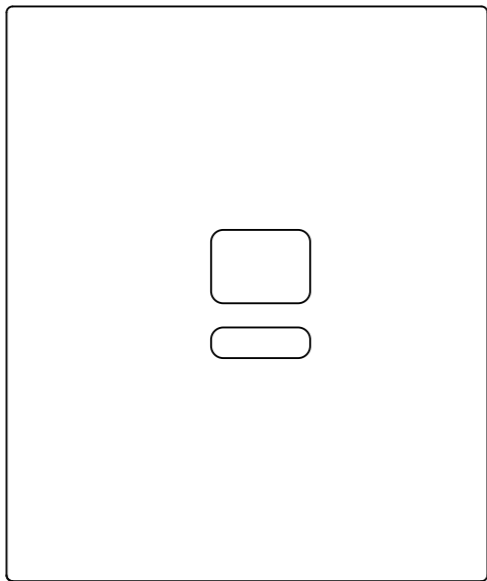
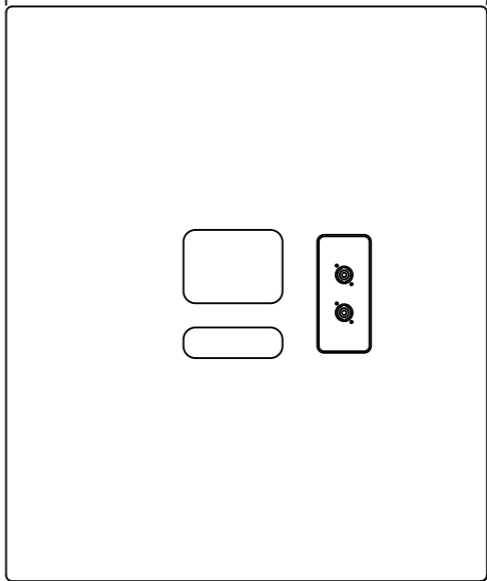


1232

636



760



<b>METRIC</b>		<b>E'spec</b> E-SPEC inc.	
DRAFTER	DATE	<small>NOTICE OF PROPRIETARY PROPERTY. THE INFORMATION CONTAINED HEREIN IS THE PROPRIETARY PROPERTY OF E-SPEC INC. E-SPEC INC. ALL RIGHTS RESERVED. E-SPEC, THE E-SPEC LOGO ARE TRADEMARK OF E-SPEC INC., REGISTERED IN THE JAPAN AND OTHER COUNTRIES.</small>	
DESIGNER C MOTEGI	DATE 22/10/24		
DIMENSIONS ARE IN MILLIMETERS TOLERANCES		TITLE <b>ALCONS AUDIO</b> <b>CB362</b>	
		DRAWING NUMBER	
SIZE <b>A3</b>		SCALE 1/10 SHEET <b>1</b> OF <b>1</b>	